

Wall-Mounted Sit-Stand Workstation | Single Monitor Mount | Keyboard Tray



Actual product may vary from photos

User Manual **SKU#: WALLSTSI1**

For the latest information and specifications visit
www.startech.com/WALLSTSI1

Manual Revision: 05/30/2019

Compliance Statements

Use of Trademarks, Registered Trademarks, and other Protected Names and Symbols

This manual may make reference to trademarks, registered trademarks, and other protected names and/or symbols of third-party companies not related in any way to StarTech.com. Where they occur these references are for illustrative purposes only and do not represent an endorsement of a product or service by StarTech.com, or an endorsement of the product(s) to which this manual applies by the third-party company in question. Regardless of any direct acknowledgement elsewhere in the body of this document, StarTech.com hereby acknowledges that all trademarks, registered trademarks, service marks, and other protected names and/or symbols contained in this manual and related documents are the property of their respective holders.

Warning Statements

- Make sure that you assemble this product according to the instructions.
- Do not exceed the weight capacity of this product. Overloading this product might result in injury or property damage. This product can support the following weight: 45.2 lb. (20.5 kg).
- This product is intended for indoor use only and should not be used outdoors.

Varningsmeddelanden

- Se till att du monterar produkten i enlighet med instruktionerna.
- Överskrid inte produktens viktkapacitet. Överbelastning av produkten kan orsaka skada på person eller egendom. Denna produkt har stöd för följande vikter: 20.5 kg.
- Produkten är endast avsedd för användning inomhus och ska inte användas utomhus.

Avertissements

- Assemblez ce produit conformément aux instructions.
- Ne dépassez pas la capacité pondérale du produit. Une surcharge du produit peut entraîner des blessures ou des dommages matériels. Ce produit peut supporter 20.5 kg.
- Ce produit est uniquement destiné à une utilisation en intérieur et ne doit pas être utilisé à l'extérieur.

Warnhinweise

- Beachten Sie bei der Montage dieses Produkts die Montageanweisungen.
- Überschreiten Sie nicht die Tragkraft dieses Produkts. Ein Überladen dieses Produkts kann zu Verletzungen oder zur Beschädigung des Produkts führen. Dieses Produkt ist für folgendes Gewicht geeignet: 20.5 kg.
- Dieses Produkt ist nur zum Gebrauch in Innenräumen vorgesehen und sollte nicht im Freien verwendet werden.

Dichiarazioni di avvertenza

- Assicurarsi di Assemblare il prodotto secondo le istruzioni.
- Non superare la capacità di carico del prodotto. Il sovraccarico del prodotto potrebbe causare danni o lesioni. Il prodotto è in grado di supportare i seguenti pesi: 20.5 kg.
- Il prodotto è destinato all'uso in ambienti interni. Se ne sconsiglia l'impiego in ambienti esterni.

Mensagens de aviso

- Certifique-se de que monta este produto de acordo com as instruções.
- Não exceda a capacidade de peso deste produto. Sobrecarregar este produto pode resultar em ferimentos ou danos de propriedade. Este produto pode suportar o seguinte peso: 20.5 kg.
- Este produto destina-se apenas a uma utilização no interior e não deve ser utilizado no exterior.
- Este produto requer uma ligação à terra. Não utilize este produto sem uma ligação à terra.

Advertencias de uso

- Asegúrese de ensamblar este producto según las instrucciones.
- Asegúrese de no exceder la capacidad de peso de este producto. La sobrecarga de este producto puede causar lesiones personales o daños en la propiedad. Este producto tiene capacidad para el siguiente peso: 20.5 kg.
- El uso de este producto es solo para interiores y no debe utilizarse en exteriores.

Waarschuwingen

- Zorg dat u dit product volgens de instructies in elkaar zet.
- Overschrijd de maximale capaciteit van dit product niet. Overbelasting van dit product kan letsel of materiële schade veroorzaken. Dit product ondersteunt het volgende gewicht: 20.5 kg.
- Dit product is alleen bedoeld voor binnengebruik en mag niet buiten worden gebruikt.

注意

- 必ず取扱説明書に従って本製品の組み立てを行って下さい。
- 本製品で定められた最大積載重量を超えないようにして下さい。最大積載重量をオーバーした場合、怪我をする恐れや器物破損の恐れがあります。本製品は、モニター1台あたり20.5kgまで支持できます。
- 本製品は、室内での使用を想定しています。戸外では使用しないで下さい。

Safety Statements

Safety Measures

- Cables (including power and charging cables) should be placed and routed to avoid creating electric, tripping or safety hazards.

Mesures de sécurité

- Les câbles (y compris les câbles d'alimentation et de chargement) doivent être placés et acheminés de façon à éviter tout risque électrique, de chute ou de sécurité

安全対策

- ケーブル(電源ケーブルと充電ケーブルを含む)は、適切な配置と引き回しを行い、電気障害やつまづきの危険性など、安全上のリスクを回避するようにしてください。

Misure di sicurezza

- I cavi (inclusi i cavi di alimentazione e di ricarica) devono essere posizionati e stesi in modo da evitare pericoli di inciampo, rischi di scosse elettriche o pericoli per la sicurezza.

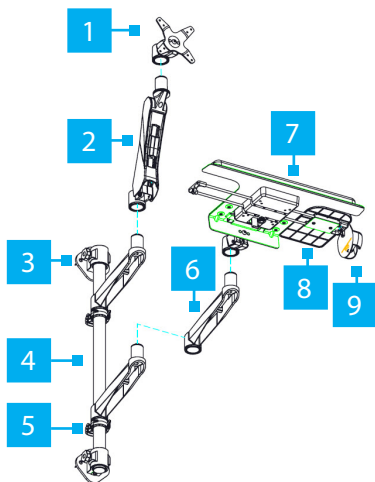
Säkerhetsåtgärder

- Kablar (inklusive elkablar och laddningskablar) ska dras och placeras på så sätt att risk för snubblingsolyckor och andra olyckor kan undvikas.

Table of Contents

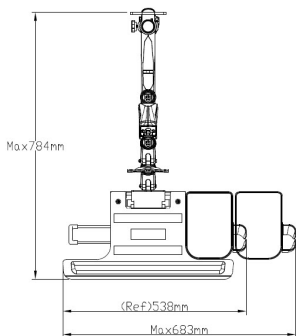
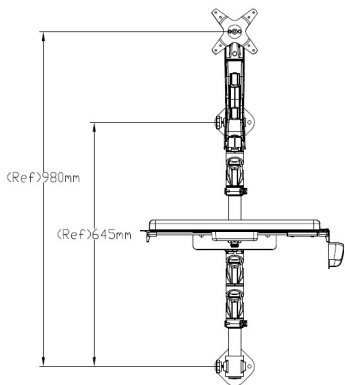
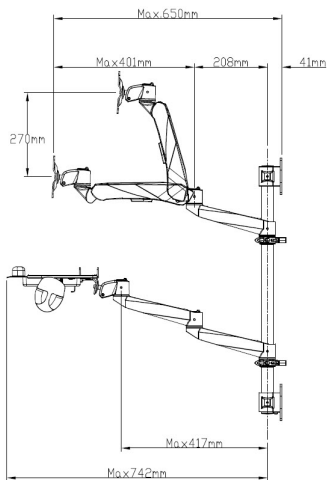
| | |
|--|----|
| Compliance Statements | 1 |
| Warning Statements | 2 |
| Safety Statements | 4 |
| Product Diagram | 6 |
| Product Dimensions | 7 |
| Product Rotation | 8 |
| Product Information | 9 |
| Specifications..... | 9 |
| Package Contents | 10 |
| Requirements..... | 11 |
| Installation | 12 |
| Mounting the Sit-Stand Workstation | 12 |
| Attaching the Mouse Pad..... | 17 |
| Attaching the Wrist Rest..... | 18 |
| Attaching the Hook-and-Loop Strip..... | 19 |
| Attaching the Keyboard Tray | 19 |
| Attaching a Monitor | 22 |
| Attaching the Monitor Mount | 22 |
| Adjusting the Monitor Tilt..... | 25 |
| Adjusting the Spring Arm Tension..... | 25 |
| Adjusting the Keyboard Tilt..... | 27 |

Product Diagram

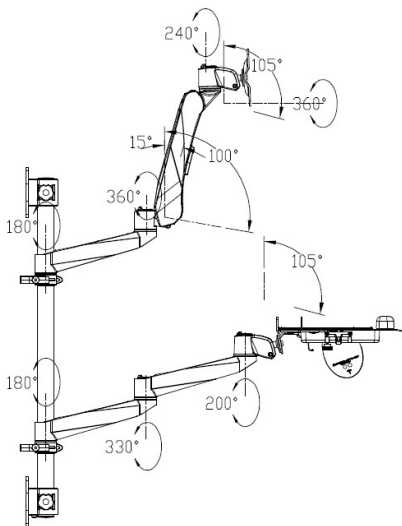


| | | | |
|----------|------------------------------|----------|----------------------|
| 1 | <i>Monitor Mount</i> | 6 | <i>Swivel Arm</i> |
| 2 | <i>Spring Arm</i> | 7 | <i>Keyboard Tray</i> |
| 3 | <i>Wall-Mount Bracket</i> | 8 | <i>Mouse Pad</i> |
| 4 | <i>Aluminum Pole</i> | 9 | <i>Mouse Holder</i> |
| 5 | <i>Cable-Management Clip</i> | | |

Product Dimensions





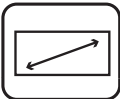
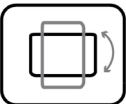
Product Rotation



To view manuals, videos, drivers, downloads, technical drawings, and more visit www.startech.com/support

Product Information

Specifications

| Type of measurement | Measurement |
|--|--|
| <p>VESA mounting hole pattern</p>  | <p>75x75 100x100</p> |
| <p>Tilt</p>  | <p>+90° to -15°</p> |
| <p>Screen size</p>  | <p>Maximum 762 mm (30 in.)</p> |
| <p>Rotate</p>  | <p>360°</p> |

Swivel



+120° to -120°

Package Contents

- Aluminum Pole x 1
- Wall-Mount Bracket x 1
- Wall-Mount Bracket w/ Lock Plate x 1
- Spring Arm x 1
- Swivel Arm w/ Logo x 1
- Swivel Arms x 2
- Monitor Mount x 1
- Wall Screws x 4
- Wall Screw Anchors x 4
- Hand Screws x 4
- Keyboard Tray x 1
- Cable-Management Clips x 3
- Wrist Rest x 1
- Mouse Holder x 1
- Mouse Tray x 1
- Mouse Tray Fixed Plate x 1
- Hook-and-Loop Strip x 1
- Anti-Slip Rubber Strips x 2

- M3 Hex Key x 1
- M6 Hex Key x 1
- M4x8 mm Screws x 2
- EVA Mouse Pad x 1
- User Manual x 1

Requirements

- Phillips Head Screwdriver x 1
- Drill with Drill Bit x 1
- Writing Utensil x 1
- Level x 1

Installation

Mounting the Sit-Stand Workstation

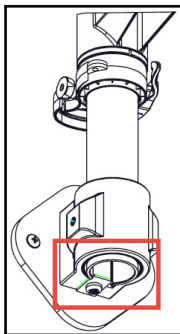
Notes: Make sure when mounting the **Sit-Stand Workstation** that you mount the bottom **Wall-Mount Bracket w/ Lock Plate** first and slide the **Aluminum Pole** into the **Wall-Mount Bracket w/ Lock Plate** before mounting the top **Wall-Mount Bracket**.

Product mounting should be completed by a certified professional as per the local safety and building code guidelines.

Wall structures vary, and it's important to make sure that the type of structure and mounting hardware that you're using will properly support the mounted equipment. Failure to do so may result in personal injury and/or equipment damage.

1. Before installing the **Sit-Stand Workstation** onto the mounting surface, contact a professional contractor.
2. After consulting a professional, the **Sit-Stand Workstation** can be mounted using the **Mounting Hardware** included.
3. Using two of the **Wall Screws**, mount the bottom **Wall-Mount Bracket** on the mounting surface.
4. (Optional) While mounting, use **Wall Screw Anchors** if required.
5. Remove the **Decorative Cover** from the bottom of the **Aluminum Pole**. The **Decorative Cover** will be located on the end of the **Aluminum Pole** that has the notch.

- Slide the **Aluminum Pole** into the bottom **Wall-Mount Bracket**, making sure that you align the notch in the **Aluminum Pole** with the notch in the **Bottom Lock Plate**.

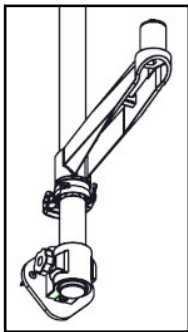


Slide the Aluminum Pole into the Bottom Lock Plate

- Secure the **Aluminum Pole** in place by tightening the **Adjustment Knob** on the **Wall-Mount Bracket**.
- Slide one of the **Cable-Management Clips** onto the **Aluminum Pole**, sliding the **Cable-Management Clip** to the bottom of the **Aluminum Pole**.
- Use the **Adjustment Clip** to tighten or loosen the tension of the **Cable-Management Clip**.

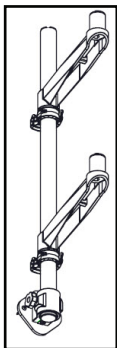
Note: *You do not need to hold the nut of the other side of the **Cable-Management Clip** while tightening or loosening the tension of the **Cable-Management Clip**.*

10. Once the **Cable-Management Clip** is at the right tension, snap the **Adjustment Clip** closed to secure the **Cable-Management Clip** to the **Aluminum Pole**.
11. Slide one of the **Swivel Arms** onto the bottom of the **Aluminum Pole**, so that it is resting on the **Cable-Management Clip**.



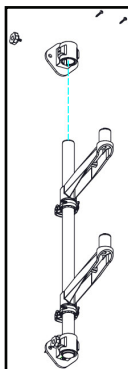
Installing the Swivel Arm

12. Tighten the **Swivel Arm** using the **Adjustment Screw** located on the side of the **Swivel Arm**. Be careful not to over-tighten the **Swivel Arm**. The **Swivel Arm** should be secure but free enough to rotate.
13. Repeat steps 8 - 12 to install the other **Cable-Management Clip** and **Swivel Arm w/ Logo** at the desired height.



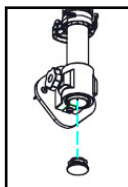
Installing the Second Swivel Arm/Cable-Management Clip

14. If required, the third **Cable Management Clip** can be installed on the **Aluminum Pole**.
15. Slide the top **Wall-Mount Bracket** over the **Aluminum Pole**.
16. Using two of the **Wall Screws**, mount the top **Wall-Mount Bracket** on the mounting surface.
17. Secure the **Aluminum Pole** in place by tightening the **Adjustment Knob** on the **Wall-Mount Bracket**.



Installing the Top Wall-Mount Bracket

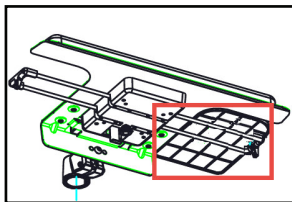
18. Once you have mounted the **Sit-Stand Workstation**, insert the decorative cover into the bottom of the **Aluminum Pole**. Make sure to align the notch on the **Decorative Cover** with the **Bottom Lock Plate**.



Inserting the Decorative Cover

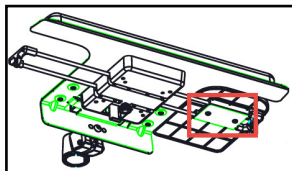
Attaching the Mouse Pad

1. Determine which side of the **Keyboard Tray** you want to position the **Mouse Tray**.
2. Align the **Mouse Tray** with the two metal prongs on either side of the **Keyboard Tray**.



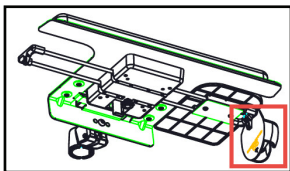
Aligning the Mouse Tray with the Metal Prongs

3. While holding the **Mouse Tray** in place, turn the **Keyboard Tray** over.
4. Align the screw holes on the **Mouse Tray Fixed Plate** with the screw holes on the bottom of the **Mouse Tray**.



Aligning the Mouse Tray Fixed Plate with the Mouse Tray

5. Insert the **M4x8 mm Screws** through the **Mouse Tray Fixed Plate** and into the **Mouse Tray**.
6. Using a **Phillips Head Screwdriver** tighten the **Mouse Tray Fixed Plate Screws**, be careful not to over-tighten the screws.
7. (Optional) You can attach the **EVA Mouse Pad** onto the **Mouse Tray**, by removing the backing from the **EVA Mouse Pad** and affixing it to the surface of the **Mouse Tray**.
8. (Optional) You can hang the **Mouse Holder** off of the side of the Mouse Tray.



Hanging the Mouse Holder off Side of the Mouse Tray

Attaching the Wrist Rest

- Remove the backing from the **Wrist Rest** and while applying pressure, attach it to the bottom of the **Keyboard Tray** (in the location your wrists would normally rest while typing on a keyboard).

Attaching the Hook-and-Loop Strip

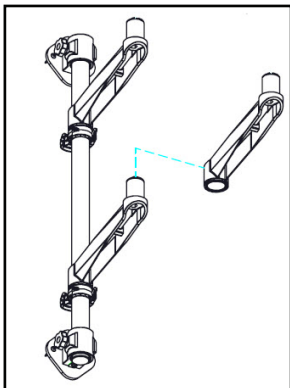
The **Hook-and-Loop Strip** is designed to help hold the **Keyboard** in place on the **Keyboard Tray**.

1. If necessary, cut the **Hook-and-Loop Strip** to fit the length of your keyboard.
2. Separate the two sides of the **Hook-and-Loop Strip**.
3. Remove the backing from both of the **Hook-and-Loop Strips** and while applying pressure, fix one strip to the top of the **Keyboard Tray** and the other strip on the bottom of the **Keyboard**, making sure to align the two strips.

Attaching the Keyboard Tray

1. Align the **Mounting Hole** on the third **Swivel Arm** with the **Mounting Peg** on the bottom **Swivel Arm**.

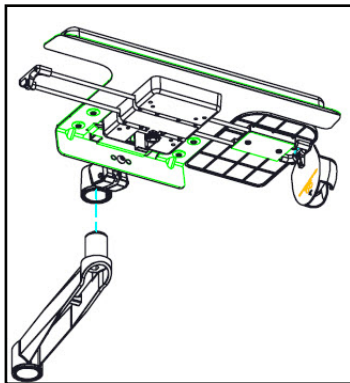
2. Slide the **Mounting Hole** on the **Swivel Arm** over the **Mounting Peg** until it clicks in place.



Attaching the Swivel Arm to the Mounting Peg

3. Using the **Hex Key** (included), tighten the **Hex Screw** on the side of the **Swivel Arm**.

- Align the **Mounting Hole** on the **Keyboard Tray** with the **Mounting Peg** on the **Swivel Arm** that was attached in step 2. Slide the **Mounting Hole** on the **Keyboard Tray** over the **Mounting Peg** until it clicks in place.



Attaching the Keyboard Tray

- Using the **Hex Key**, tighten the **Hex Screw** on the side of the **Keyboard Tray** next to the mounting hole. Do not over-tighten, to allow for keyboard swivel.

Note: *The Keyboard Tray supports up to a maximum 2.5 kg.*

Attaching a Monitor

1. Align the **Mounting Holes** (x 4) on the **Monitor Mount** with the mounting holes on the back of the **Monitor**.
2. Insert the **Hand Screws** through the **Monitor Mount** and into the back of the **Monitor**.
3. Using your fingers, tighten the **Hand Screws**.

Warning! Do not over-tighten the screws. If you encounter resistance while you're tightening the screws, stop tightening. Failure to do so could result in damage to the monitor.

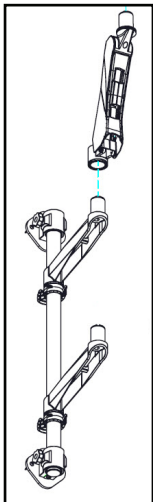
Attaching the Monitor Mount

Notes: Attaching the **Monitor Mount** may require two people.

The **Monitor Mount** supports up to a maximum of 9 kg.

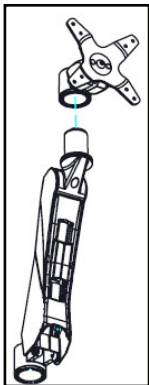
1. Align the **Mounting Hole** on the **Spring Arm** with the **Mounting Peg** on the top **Swivel Arm**.

2. Slide the **Mounting Hole** on the **Spring Arm** over the **Mounting Peg** until it clicks into place.



Attaching the Spring Arm

3. While supporting the weight of the **Monitor**, carefully align the **Mounting Hole** on the **Monitor Mount** with the **Mounting Peg** on the top **Spring Arm**.
4. Slide the **Mounting Hole** on the **Monitor Mount** over the **Mounting Peg** until it clicks into place.



Attaching the Monitor Mount

5. Using the **Hex Keys**, adjust the swivel tension of the **Monitor Mount** by loosening or tightening the **Hex Screws** located on the **Monitor Mount** next to the **Mount Hole**.

Adjusting the Monitor Tilt

- While supporting the weight of the **Monitor**, use the **Hex Key** (included) to loosen or tighten the **Hex Screw** on the side of the **Monitor Mount**, until the tension can hold the weight of the **Monitor** but it is still adjustable.

Note: *The screw cap located on the opposite side of the **Hex Screw** is not used for tilt adjustments.*

Adjusting the Spring Arm Tension

- Using the large **Hex Key**, adjust the tension of the **Spring Arm** by loosening or tightening the recessed **Hex Screw** located at the top of the **Spring Arm** next to the **Mounting Peg**.

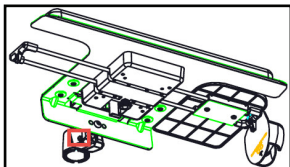
- Adjust the tension of the **Spring Arm** until the **Spring Arm** is capable of holding the weight of the attached **Monitor** at the desired height.



Adjusting the Spring Arm Tension

Adjusting the Keyboard Tilt

- While supporting the weight of the **Monitor**, use the **Hex Key** (included) to loosen or tighten the **Hex Screw** on the side of the **Monitor Mount**, until the tension can hold the weight of the **Keyboard** but it is still adjustable.



Adjusting the Keyboard Tray Tilt

Note: *The screw cap located on the opposite side of the Hex Screw is not used for tilt adjustments.*

Warranty Information

This product is backed by a two-year warranty.

For further information on product warranty terms and conditions, please refer to www.startech.com/warranty.

Limitation of Liability

In no event shall the liability of StarTech.com Ltd. and StarTech.com USA LLP (or their officers, directors, employees or agents) for any damages (whether direct or indirect, special, punitive, incidental, consequential, or otherwise), loss of profits, loss of business, or any pecuniary loss, arising out of or related to the use of the product exceed the actual price paid for the product.

Some states do not allow the exclusion or limitation of incidental or consequential damages. If such laws apply, the limitations or exclusions contained in this statement may not apply to you.

Hard-to-find made easy. At StarTech.com, that isn't a slogan. It's a promise.

StarTech.com is your one-stop source for every connectivity part you need. From the latest technology to legacy products — and all the parts that bridge the old and new — we can help you find the parts that connect your solutions.

We make it easy to locate the parts, and we quickly deliver them wherever they need to go. Just talk to one of our tech advisors or visit our website. You'll be connected to the products you need in no time.

Visit www.startech.com for complete information on all StarTech.com products and to access exclusive resources and time-saving tools.

StarTech.com is an ISO 9001 Registered manufacturer of connectivity and technology parts. StarTech.com was founded in 1985 and has operations in the United States, Canada, the United Kingdom and Taiwan servicing a worldwide market.

Reviews

Share your experiences using StarTech.com products, including product applications and setup, what you love about the products, and areas for improvement.

StarTech.com Ltd.

45 Artisans Cres.
London, Ontario
N5V 5E9
Canada

FR: startech.com/fr
DE: startech.com/de

StarTech.com LLP

2500 Creekside Pkwy.
Lockbourne, Ohio
43137
U.S.A.

ES: startech.com/es
NL: startech.com/nl

StarTech.com Ltd.

Unit B, Pinnacle
15 Gowerton Rd.,
Brackmills
Northampton
NN4 7BW
United Kingdom

IT: startech.com/it
JP: startech.com/jp