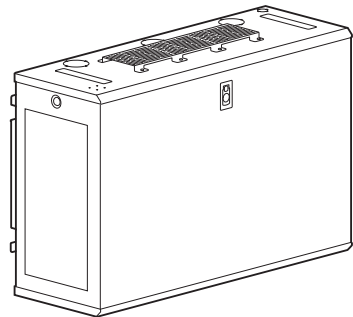




by Schneider Electric

# NetShelter™ WX Low-profile Cabinets

## Guide for Unpacking and Repacking AR106V, AR106VI



### Worldwide Customer Support

Customer support and warranty information is available at [www.apc.com](http://www.apc.com).

© 2019 APC by Schneider Electric. All rights reserved.

990-6228A-001

12/2019



### Specifications

SKU	Unpackaged Dimensions H x W x D	Packaged Dimensions H x W x D	Unpackaged Weight (empty)	Packaged Weight* (empty)
AR106V AR106VI	650 x 351 x 969 mm (26 x 14 x 38 in)	546 x 749 x 1067 mm (21.5 x 29.5 x 42 in)	34 kg (75 lb)	59 kg (130 lb)

\*Each cabinet may be loaded with up to 113 kg (250 lb) of equipment.

\*Jeder Schrank kann mit Ausrüstung von bis zu 113 kg (250 lb) bestückt werden.

\*Cada armario se puede cargar con hasta 113 kg (250 lb) de equipamiento.

\*Chaque armoire peut supporter une charge d'équipement jusqu'à 113 kg (250 lb).

\*Ciascun armadio è in grado di sostenere apparecchiatura per un peso massimo di 113 kg (250 lb).

\*各キャビネットには 113kg (250lb) まで機材を積み込むことができます。

\*Do każdej szafy można włożyć sprzęt ważący do 113kg (250lb).

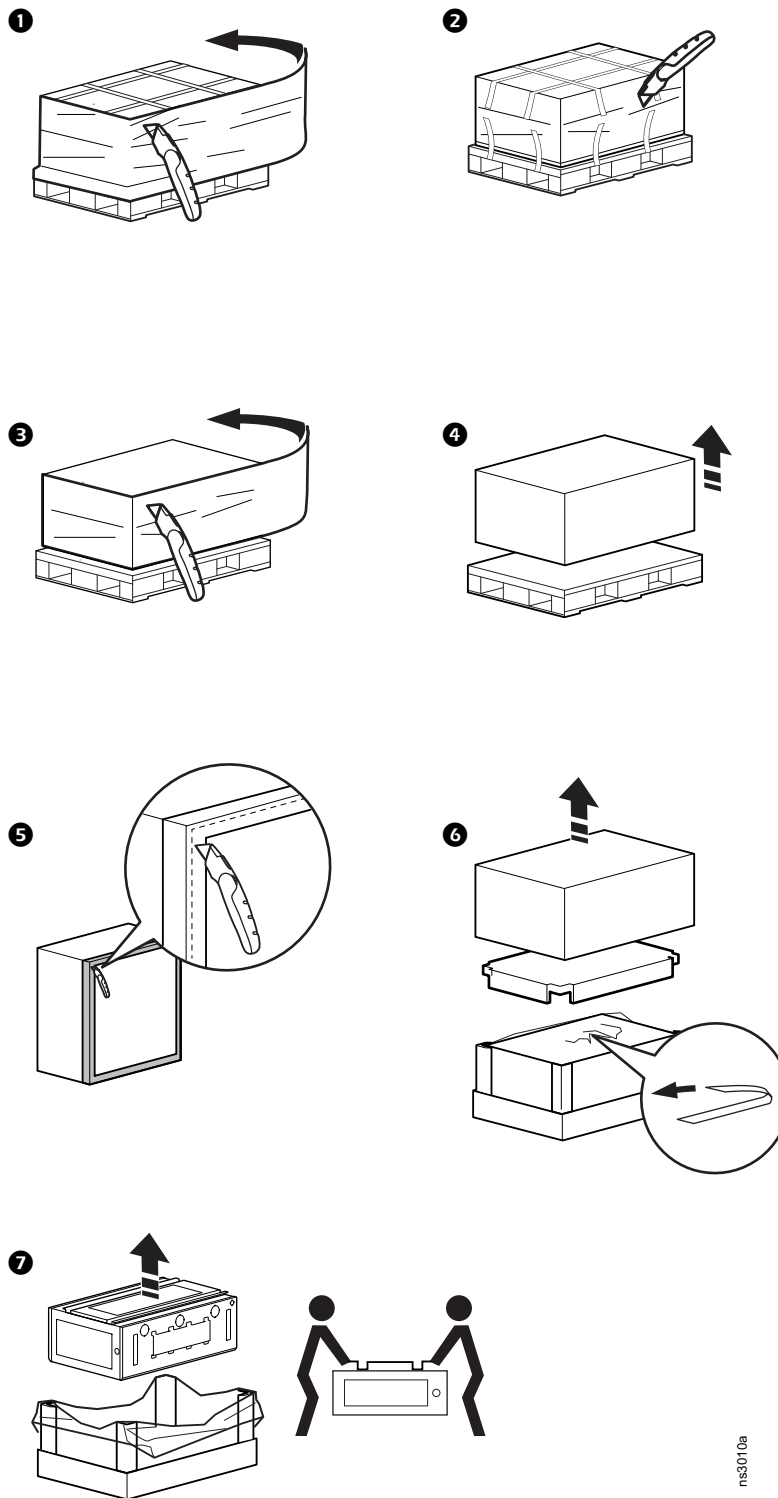
\*Cada armário permite carga máxima de 113 kg (250lb) de equipamento.

\*В один шкаф можно устанавливать не более 113 кг (250 фунтов) оборудования.

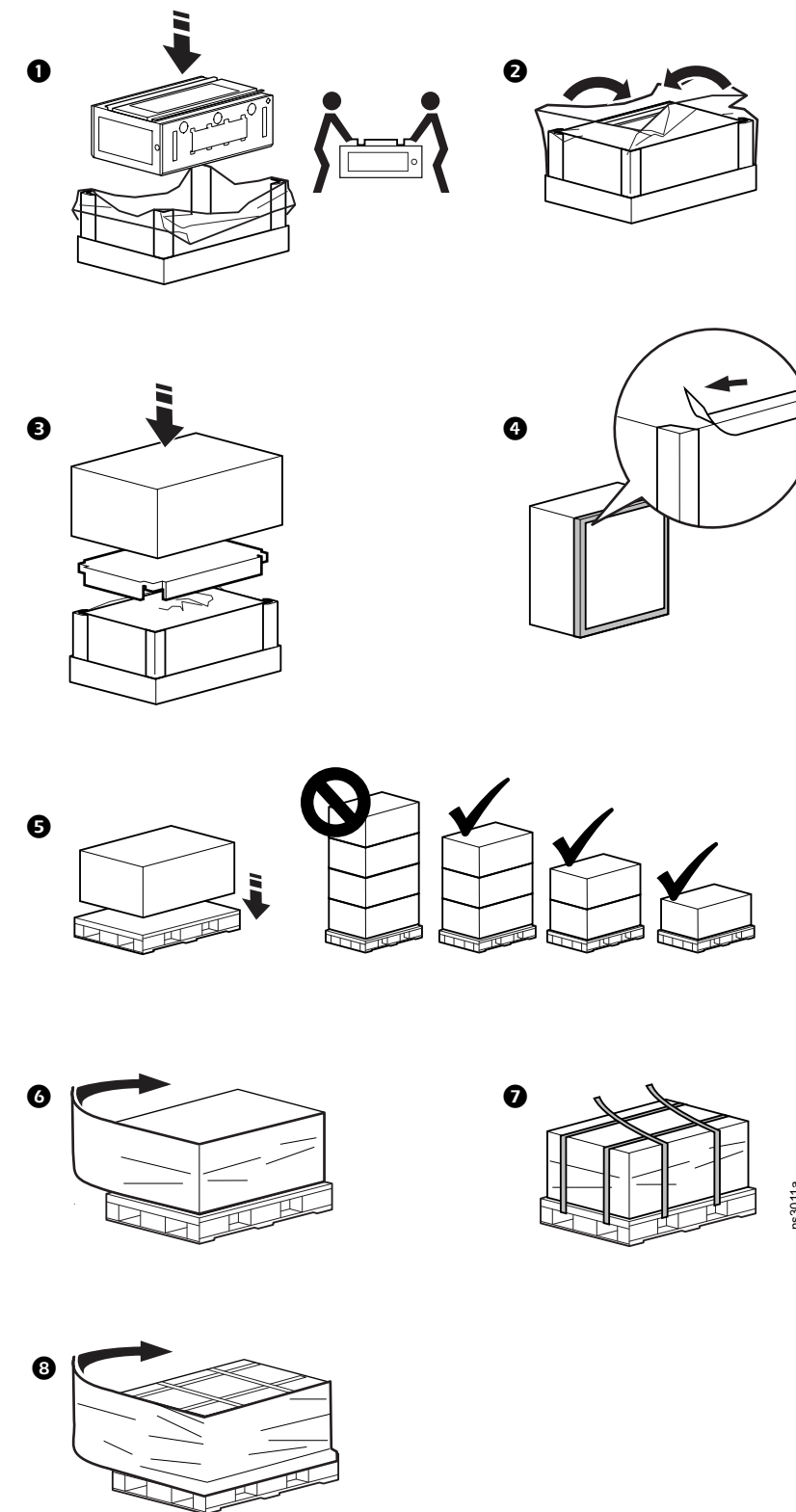
\*Her kabine 113 kg (250 lb) ağırlığa kadar ekipman yüklenebilir.

\*每个柜子可以装载最多 113 公斤 (250 磅) 设备。

### Unpacking



### Repacking



ns3010a

ns3011a

## English

**Important**. Save these instructions. This guide contains information for receiving, unpacking, and moving the equipment. Download the Installation and Customization Manual from the website, **www.apc.com**.

<span> </span> <span> </span> <span> </span> <span>▲</span> WARNING
<div><b>HEAVY EQUIPMENT</b></div> <div> <ul style="list-style-type: none"><li>Unpacking, installation, &amp; customization to be performed by trained personnel only.</li> <li>Use at least two people to unpack and move the cabinet.</li></ul> <b>Failure to follow these instructions can result in death and injury.</b></div>

#### Receiving

**Inspect the exterior packaging.** Before unpacking the shipment, verify that the labeled container matches the bill of lading.

**Inspect the equipment.** Once you have unpacked the equipment, carefully inspect its exterior.

**NOTE:** In case of shipping damage such as scratches or dents contact the shipping company and then Customer Support at **www.apc.com**.

**Unpacking.** The shipping materials are recyclable. Save them for later use, or dispose of them appropriately.

**NOTE:** When possible, leave the equipment on the pallet until you are ready to move it to its final location.

<span> </span> <span> </span> <span> </span> <i>NOTICE</i>
Leaving the equipment uncovered and exposed to the elements will cause damage and void the factory warranty.

<span> </span>	<span> </span>	<span> </span>	<span> </span>	<span> </span>	<span> </span>
<span> </span>	<span> </span>	<span> </span>	<span> </span>	<span> </span>	<span> </span>
<span> </span>	<span> </span>	<span> </span>	<span> </span>	<span> </span>	<span> </span>
<span> </span>	<span> </span>	<span> </span>	<span> </span>	<span> </span>	<span> </span>
<span> </span>	<span> </span>	<span> </span>	<span> </span>	<span> </span>	<span> </span>
<span> </span>	<span> </span>	<span> </span>	<span> </span>	<span> </span>	<span> </span>

<span> </span>	<span> </span>	<span> </span>	<span> </span>	<span> </span>	<span> </span>
<span> </span>	<span> </span>	<span> </span>	<span> </span>	<span> </span>	<span> </span>
<span> </span>	<span> </span>	<span> </span>	<span> </span>	<span> </span>	<span> </span>
<span> </span>	<span> </span>	<span> </span>	<span> </span>	<span> </span>	<span> </span>
<span> </span>	<span> </span>	<span> </span>	<span> </span>	<span> </span>	<span> </span>
<span> </span>	<span> </span>	<span> </span>	<span> </span>	<span> </span>	<span> </span>

<span> </span>	<span> </span>	<span> </span>	<span> </span>	<span> </span>	<span> </span>
<span> </span>	<span> </span>	<span> </span>	<span> </span>	<span> </span>	<span> </span>
<span> </span>	<span> </span>	<span> </span>	<span> </span>	<span> </span>	<span> </span>
<span> </span>	<span> </span>	<span> </span>	<span> </span>	<span> </span>	<span> </span>
<span> </span>	<span> </span>	<span> </span>	<span> </span>	<span> </span>	<span> </span>
<span> </span>	<span> </span>	<span> </span>	<span> </span>	<span> </span>	<span> </span>

<span> </span>	<span> </span>	<span> </span>	<span> </span>	<span> </span>	<span> </span>
<span> </span>	<span> </span>	<span> </span>	<span> </span>	<span> </span>	<span> </span>
<span> </span>	<span> </span>	<span> </span>	<span> </span>	<span> </span>	<span> </span>
<span> </span>	<span> </span>	<span> </span>	<span> </span>	<span> </span>	<span> </span>
<span> </span>	<span> </span>	<span> </span>	<span> </span>	<span> </span>	<span> </span>
<span> </span>	<span> </span>	<span> </span>	<span> </span>	<span> </span>	<span> </span>

<span> </span>	<span> </span>	<span> </span>	<span> </span>	<span> </span>	<span> </span>
<span> </span>	<span> </span>	<span> </span>	<span> </span>	<span> </span>	<span> </span>
<span> </span>	<span> </span>	<span> </span>	<span> </span>	<span> </span>	<span> </span>
<span> </span>	<span> </span>	<span> </span>	<span> </span>	<span> </span>	<span> </span>
<span> </span>	<span> </span>	<span> </span>	<span> </span>	<span> </span>	<span> </span>
<span> </span>	<span> </span>	<span> </span>	<span> </span>	<span> </span>	<span> </span>

<span> </span> <span> </span> <span> </span> <span>▲</span> OSTRZEŻENIE
<div><b>CIĘŻKI SPRZĘT</b></div> <div> <ul style="list-style-type: none"><li>Czynności związane z rozpakowywaniem, montowaniem i konfigurowaniem urządzenia mogą być wykonywane wyłącznie przez przeszkolonych pracowników.</li> <li>W rozpakowaniu i przenoszeniu szafy powinny braeć udział<span>³</span> co najmniej dwie osoby.</li></ul> <b>Nieprzestrzeganie powyższych instrukcji może doprowadzić do obrażenia ciała i śmierci.</b></div>

#### Kontrola przy odbiorze

**Sprawdzenie opakowania zewnętrznego.** Przed rozpakowaniem przesyłki należy upewnić się, że dostarczono oznakowany pojemnik zgodnie z listem przewozowym.

**Kontrola urządzenia.** Po rozpakowaniu urządzenia należy dokładnie sprawdzić jego obudowę zewnętrzną. **UWAGA:** W przypadku uszkodzenia w transporcie, takich jak rysy lub wgniecenia skontaktować się z obsługą klienta w **www.apc.com**.

**Rozpakowanie.** Materiały opakowaniowe nadają się do przerobu wtórnego. Należy zachować je do wykorzystania w przyszłości lub zutylizować w odpowiedni sposób.

**UWAGA:** W miarę możliwości należy pozostawić urządzenie na palecie, dopóki nie będzie gotowe do ustawienia w miejscu docelowym.

<span> </span> <span> </span> <span> </span> <i>NOTYFIKACJA</i>
Pozostawienie nieos?oni?tego urz?dzenia wystawionego na dzia?anie warunków zewn?trznyc spowoduje jego uszkodzenie i uniewa?nienie gwarancji producenta.

<span> </span>	<span> </span>	<span> </span>	<span> </span>	<span> </span>	<span> </span>
<span> </span>	<span> </span>	<span> </span>	<span> </span>	<span> </span>	<span> </span>
<span> </span>	<span> </span>	<span> </span>	<span> </span>	<span> </span>	<span> </span>
<span> </span>	<span> </span>	<span> </span>	<span> </span>	<span> </span>	<span> </span>
<span> </span>	<span> </span>	<span> </span>	<span> </span>	<span> </span>	<span> </span>
<span> </span>	<span> </span>	<span> </span>	<span> </span>	<span> </span>	<span> </span>

## Deutsch

**Wichtig.** Bewahren Sie diese Anweisungen. Dieses Handbuch enthält Informationen für den Empfang, Auspacken und Transport des Geräts. Laden Sie die Installation und Anpassung Manuelle von der Website, **www.apc.com**.

<span> </span> <span> </span> <span> </span> <span>▲</span> WARNHINWEIS
<div><b>DIE AUSRÜSTUNG IST SEHR SCHWER</b></div> <div> <ul style="list-style-type: none"><li>Das Auspacken, Installieren und Einrichten der Anlage darf nur durch geschultes Personal erfolgen.</li> <li>Es sind mindestens zwei Personen erforderlich, um den Schrank auszupacken und zu bewegen.</li></ul> <b>Bei Nichtbeachtung dieser Vorschriften kann es zu schweren Verletzungen mit Todesfolge kommen.</b></div>

#### Empfang

**Überprüfen der Verpackung.** Überzeugen Sie sich vor dem Auspacken davon, dass die Beschriftung des Versandkiste den Angaben auf dem Ladeschein entspricht.

**Inspektion des Geräts.** Inspizieren Sie das Innere des Geräts nach dem Auspacken sorgfältig.

**HINWEIS:** Bei Transportschäden, wie Kratzer oder Dellen an den Kundendienst an **www.apc.com**.

**Auspacken.** Die Verpackung besteht aus wiederverwertbarem Material. Bewahren Sie Verpackungen zur Wiederverwendung auf oder entsorgen Sie sie.

**HINWEIS:** Lassen Sie das Gerät möglichst auf der Palette, bis es an seinen endgültigen Aufstellort gebracht werden kann.

<span> </span> <span> </span> <span> </span> <i>HINWEIS</i>
Die Werksgarantie verliert ihre Gültigkeit und die Anlage nimmt Schaden, wenn sie ohne Abdeckung Witterungseinflüssen ausgesetzt wird.

<span> </span>	<span> </span>	<span> </span>	<span> </span>	<span> </span>	<span> </span>
<span> </span>	<span> </span>	<span> </span>	<span> </span>	<span> </span>	<span> </span>
<span> </span>	<span> </span>	<span> </span>	<span> </span>	<span> </span>	<span> </span>
<span> </span>	<span> </span>	<span> </span>	<span> </span>	<span> </span>	<span> </span>
<span> </span>	<span> </span>	<span> </span>	<span> </span>	<span> </span>	<span> </span>
<span> </span>	<span> </span>	<span> </span>	<span> </span>	<span> </span>	<span> </span>

<span> </span>	<span> </span>	<span> </span>	<span> </span>	<span> </span>	<span> </span>
<span> </span>	<span> </span>	<span> </span>	<span> </span>	<span> </span>	<span> </span>
<span> </span>	<span> </span>	<span> </span>	<span> </span>	<span> </span>	<span> </span>
<span> </span>	<span> </span>	<span> </span>	<span> </span>	<span> </span>	<span> </span>
<span> </span>	<span> </span>	<span> </span>	<span> </span>	<span> </span>	<span> </span>
<span> </span>	<span> </span>	<span> </span>	<span> </span>	<span> </span>	<span> </span>

<span> </span>	<span> </span>	<span> </span>	<span> </span>	<span> </span>	<span> </span>
<span> </span>	<span> </span>	<span> </span>	<span> </span>	<span> </span>	<span> </span>
<span> </span>	<span> </span>	<span> </span>	<span> </span>	<span> </span>	<span> </span>
<span> </span>	<span> </span>	<span> </span>	<span> </span>	<span> </span>	<span> </span>
<span> </span>	<span> </span>	<span> </span>	<span> </span>	<span> </span>	<span> </span>
<span> </span>	<span> </span>	<span> </span>	<span> </span>	<span> </span>	<span> </span>

<span> </span>	<span> </span>	<span> </span>	<span> </span>	<span> </span>	<span> </span>
<span> </span>	<span> </span>	<span> </span>	<span> </span>	<span> </span>	<span> </span>
<span> </span>	<span> </span>	<span> </span>	<span> </span>	<span> </span>	<span> </span>
<span> </span>	<span> </span>	<span> </span>	<span> </span>	<span> </span>	<span> </span>
<span> </span>	<span> </span>	<span> </span>	<span> </span>	<span> </span>	<span> </span>
<span> </span>	<span> </span>	<span> </span>	<span> </span>	<span> </span>	<span> </span>

<span> </span> <span> </span> <span> </span> <span>▲</span> AVISO
<div><b>EQUIPAMENTOS PESADOS</b></div> <div> <ul style="list-style-type: none"><li>A retirada da embalagem, a instalação e a personalização devem ser feitas apenas por pessoal treinado.</li> <li>Utilize, pelo menos, duas pessoas para desembalar o gabinete e movimentá-lo.</li></ul> <b>O não cumprimento dessas instruções pode resultar em ferimentos ou morte.</b></div>

#### Recebimento

**Inspeção a parte externa da embalagem.** Antes de desembalar o material transportado, confirme se a caixa etiquetada corresponde ao conhecimento de embarque. **Inspeção o equipamento.** Após desembalar o equipamento, inspeçãoe cuidadosamente sua parte externa.

**OBSERVAÇÃO:** Em caso de danos durante o transporte, como arranhões ou mossas contato com o suporte ao cliente em **www.apc.com**.

**Como retirar da embalagem.** Os materiais de transporte são recicláveis. Guard­­e-os para uso posterior ou descarte-os de modo apropriado.

**OBSERVAÇÃO:** Se possível, deixe o equipamento no pallet até você estar pronto para transportá-lo para sua posição final.

<span> </span> <span> </span> <span> </span> <i>AVISO</i>
O equipamento será danificado e sua garantia de fábrica será anulada se ele ficar descoberto e exposto ao tempo.

<span> </span>	<span> </span>	<span> </span>	<span> </span>	<span> </span>	<span> </span>
<span> </span>	<span> </span>	<span> </span>	<span> </span>	<span> </span>	<span> </span>
<span> </span>	<span> </span>	<span> </span>	<span> </span>	<span> </span>	<span> </span>
<span> </span>	<span> </span>	<span> </span>	<span> </span>	<span> </span>	<span> </span>
<span> </span>	<span> </span>	<span> </span>	<span> </span>	<span> </span>	<span> </span>
<span> </span>	<span> </span>	<span> </span>	<span> </span>	<span> </span>	<span> </span>

## Español

**Importante.** Guarde estas instrucciones. Esta guía contiene información para la recepción, desembalaje y mover el equipo. Descargue el Manual de instalación y personalización de la página web, **www.apc.com**.

<span> </span> <span> </span> <span> </span> <span>▲</span> ADVERTENCIA
<div><b>EQUIPO PESADO</b></div> <div> <ul style="list-style-type: none"><li>El desembalaje, instalación y personalización deben ser realizados únicamente por personal cualificado.</li> <li>Disponga de al menos dos personas para desembalar y trasladar el armario.</li></ul> <b>No seguir esas instrucciones puede resultar en lesiones o la muerte.</b></div>

#### Recepción

**Inspección del embalaje exterior.** Antes de desembalar el envío, compruebe que la caja etiquetada coincida con la factura del cargamento.

**Inspección del equipo.** Cuando haya desembalado el equipo, inspeccione detenidamente su exterior.

**NOTA:** En caso de daños de transporte, tales como arañazos o abolladuras en contacto con el soporte al cliente **www.apc.com**.

**Desembalaje.** Los materiales de embalaje son reciclables. Guárdelos para volver a utilizarlos o deséchelos adecuadamente.

**NOTA:** Siempre que sea posible, deje el equipo en el pallet hasta que esté preparado para trasladarlo a su ubicación final.

<span> </span> <span> </span> <span> </span> <i>AVISO</i>
Si el equipo se deja descubierto y expuesto a los elementos, se dañará y se anulará la garantía de fábrica.

<span> </span>	<span> </span>	<span> </span>	<span> </span>	<span> </span>	<span> </span>
<span> </span>	<span> </span>	<span> </span>	<span> </span>	<span> </span>	<span> </span>
<span> </span>	<span> </span>	<span> </span>	<span> </span>	<span> </span>	<span> </span>
<span> </span>	<span> </span>	<span> </span>	<span> </span>	<span> </span>	<span> </span>
<span> </span>	<span> </span>	<span> </span>	<span> </span>	<span> </span>	<span> </span>
<span> </span>	<span> </span>	<span> </span>	<span> </span>	<span> </span>	<span> </span>

<span> </span>	<span> </span>	<span> </span>	<span> </span>	<span> </span>	<span> </span>
<span> </span>	<span> </span>	<span> </span>	<span> </span>	<span> </span>	<span> </span>
<span> </span>	<span> </span>	<span> </span>	<span> </span>	<span> </span>	<span> </span>
<span> </span>	<span> </span>	<span> </span>	<span> </span>	<span> </span>	<span> </span>
<span> </span>	<span> </span>	<span> </span>	<span> </span>	<span> </span>	<span> </span>
<span> </span>	<span> </span>	<span> </span>	<span> </span>	<span> </span>	<span> </span>

<span> </span>	<span> </span>	<span> </span>	<span> </span>	<span> </span>	<span> </span>
<span> </span>	<span> </span>	<span> </span>	<span> </span>	<span> </span>	<span> </span>
<span> </span>	<span> </span>	<span> </span>	<span> </span>	<span> </span>	<span> </span>
<span> </span>	<span> </span>	<span> </span>	<span> </span>	<span> </span>	<span> </span>
<span> </span>	<span> </span>	<span> </span>	<span> </span>	<span> </span>	<span> </span>
<span> </span>	<span> </span>	<span> </span>	<span> </span>	<span> </span>	<span> </span>

<span> </span>	<span> </span>	<span> </span>	<span> </span>	<span> </span>	<span> </span>
<span> </span>	<span> </span>	<span> </span>	<span> </span>	<span> </span>	<span> </span>
<span> </span>	<span> </span>	<span> </span>	<span> </span>	<span> </span>	<span> </span>
<span> </span>	<span> </span>	<span> </span>	<span> </span>	<span> </span>	<span> </span>
<span> </span>	<span> </span>	<span> </span>	<span> </span>	<span> </span>	<span> </span>
<span> </span>	<span> </span>	<span> </span>	<span> </span>	<span> </span>	<span> </span>

<span> </span>	<span> </span>	<span> </span>	<span> </span>	<span> </span>	<span> </span>
<span> </span>	<span> </span>	<span> </span>	<span> </span>	<span> </span>	<span> </span>
<span> </span>	<span> </span>	<span> </span>	<span> </span>	<span> </span>	<span> </span>
<span> </span>	<span> </span>	<span> </span>	<span> </span>	<span> </span>	<span> </span>
<span> </span>	<span> </span>	<span> </span>	<span> </span>	<span> </span>	<span> </span>
<span> </span>	<span> </span>	<span> </span>	<span> </span>	<span> </span>	<span> </span>

<span> </span> <span> </span> <span> </span> <span>▲</span> UYARI
<div><b>AĞIR EKİPMAN</b></div> <div> <ul style="list-style-type: none"><li>Ambalajdan çıkarma, montaj ve kişiselleştirme işlemleri sadece eğitilmiş personel tarafından yapılmalıdır.</li> <li>Kabini ambalajından çıkarmak ve taşımak için en az iki kişi görevlendirilmelidir.</li></ul> <b>Bu talimatlara uyulmaması ölüm ve yaralanmalara neden olabilir.</b></div>

**Alış**
**Dış ambalajı inceleyin.** Nakliyeden gelen ürünün ambalajını çıkarmadan önce, etiketli konteyner ile konşimentodaki bilgilerin birbirini tuttuğundan emin olun.

**Ekipmanı inceleyin.** Ekipmanı ambalajından çıkardıktan sonra, dış kısmını dikkatlice inceleyin.
**NOT:** Nakliye sırasında çizik veya ezik gibi hasarlar meydana gelmişse nakliye şirketiy­le ve ardından da **www.apc.com** adresindeki Müşteri Destek birimiyle iletişime geçin.
**Ambalajın Açılması.** Nakliye malzemeleri geri dönüştürülebilir. Bu malzemeleri daha sonra kullanmak üzere saklayın veya uygun bir şekilde bertaraf edin.
**NOT:** Mümkünse, ekipmanı nihai konumuna taşımaya hazır olana kadar palet üzerinde bırakın.

<span> </span> <span> </span> <span> </span> <i>İKAZ</i>
Ekipmanın açık halde ve yabancı maddelere maruz bırakılması hasara neden olur ve fabri <span>­</span> ka garantisini geçersiz kılar.

<span> </span>	<span> </span>	<span> </span>	<span> </span>	<span> </span>	<span> </span>
<span> </span>	<span> </span>	<span> </span>	<span> </span>	<span> </span>	<span> </span>
<span> </span>	<span> </span>	<span> </span>	<span> </span>	<span> </span>	<span> </span>
<span> </span>	<span> </span>	<span> </span>	<span> </span>	<span> </span>	<span> </span>
<span> </span>	<span> </span>	<span> </span>	<span> </span>	<span> </span>	<span> </span>
<span> </span>	<span> </span>	<span> </span>	<span> </span>	<span> </span>	<span> </span>

## Français

**Important.** Conservez ce manuel d